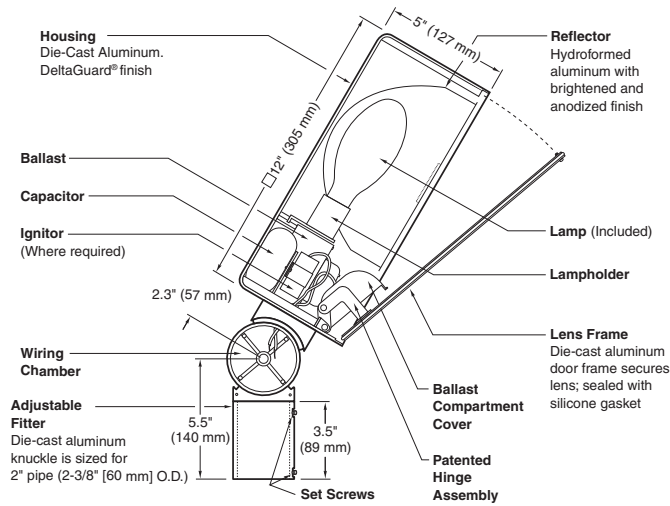


Beta Catalog Number:



Notes:

Product Family	Housing Indicator	Lamp Position	Optical Distribution	Mounting Options	Lamp Selection*	Ballast Voltage	Color Options	Factory-Installed Options
BFL	S12	T	NB	F2 ¹	050 PMH 070 PMH 100 PMH 150 PMH 175 MHX	035 HPS 050 HPS 070 HPS 100 HPS 150 HPS	MT ² DT ³ 12-120V ⁴ 20-207V 24-247V 27-277V 34-340V 48-480V ⁵ 5_-50 Hz ⁶	BZ BK WH PB SV

*Lamp Abbreviation Key:
 PMH = Pulse Start Metal Halide
 MHX = Metal Halide
 HPS = High Pressure Sodium

If choosing more than one option, please type in manually on the lines provided above.

F-Fuse⁷
 LH-Linear Horizontal Spread Lens
 LV-Linear Vertical Spread Lens
 P-Photocell^{7,8}
 Q-Quartz Standby⁹
 TS-Tamperproof Screws¹⁰
 U-Uplight Door Frame¹¹

Field-Installed Accessories

	Deep Baffle DB-12		Wire Guard FWG-12		Glare Shield GS-12		Vandal Shield LS-12		Internal Louver DL-12
	Tamperproof Screwdriver TPS-1			Button Photocell⁸ PC-1 (Fixtures w/120V) PC-2 (Fixtures w/208, 240 or 277V) PC-3 (Fixtures w/347V)					

- 1-F2 (2" Adjustable fitter)
- 2-150W PMH, 175W MHX and 70W, 100W & 150W HPS are standard with multi-tap (MT) ballast
- 3-50W, 70W & 100W PMH and 50W HPS are standard with dual-tap (DT) ballast
- 4-35W HPS is standard with 120V ballast
- 5-480V ballast available for 175W MHX and 70W, 100W & 150W HPS
- 6-International 50 Hertz ballasts available, contact factory
- 7-Must specify voltage other than MT or DT
- 8-All 480V fixtures are supplied with factory-installed external photocell option. All other voltages are field installed, order as an accessory (PC-1, PC-2 or PC-3).
- 9-Delay-relay type and includes 100W T4 dual-contact quartz lamp
- 10-Available for accessible fixture locations
- 11-Required for all exterior uplight application

General Description

Narrow beam parabolic floodlight luminaire for HID lamp (mounted transverse in housing), totally enclosed. Hydroformed aluminum reflector is brightened and anodized. Housing is seamless, die cast aluminum. Aluminum die cast adjustable fitter mounting is sized for 2" pipe (2-3/8" [60 mm] O.D.). Allows for directional aiming as well as 2-1/2° incremental vertical adjustment. Contains integral wiring compartment. Two stainless steel set screws provide clamping to vertical tenons. Lens assembly consists of rigid aluminum frame and high impact, clear tempered glass.

Electrical

Fixture includes clear, medium base lamp. Pulse-rated porcelain enclosed, 4kv rated screw shell type lampholder. Lamp ignitor included where required. All ballast assemblies are high power factor and use the following circuit types: Reactor 120V: 35W - 150W HPS; HX - High Reactance: 50W - 100W PSMH and 50W - 150W HPS; CWA - Constant Wattage Autotransformer: 150W PSMH and 175W MH.

Finish

Exclusive Colorfast DeltaGuard® finish features an E-Coat epoxy primer with an ultra-durable powder topcoat, providing excellent resistance to corrosion, ultraviolet degradation and abrasion. The finish is covered by our 7 year limited warranty.

Labels

ANSI lamp wattage label supplied, visible during relamping. UL Listed in U.S. and Canada for wet locations and enclosure classified IP65 per IEC 529 and IEC 598.

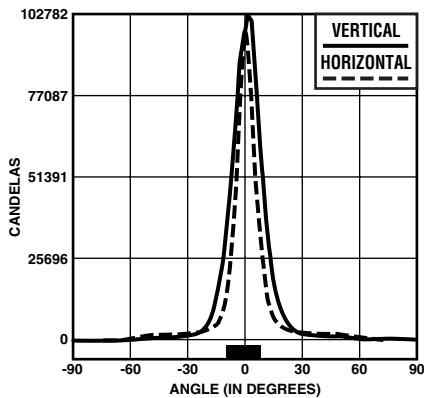
Patents

US 4,689,729

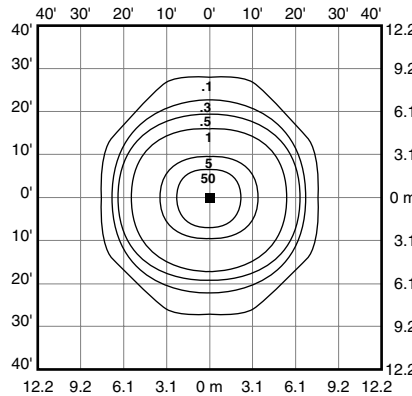
EPA RATING

Isofootcandle plots show initial footcandles at grade. Footcandles ÷ 0.0929 = Lux.

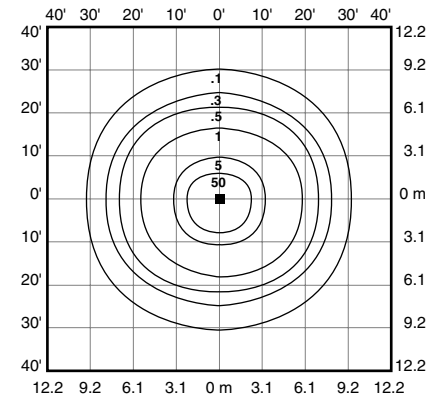
EPA 1.07 for single fixture with 60° tilt. Refer to Specifier Reference Guide or www.beta-lighting.com/TechnicalData/Windloading.pdf for EPA rating on multiple units or other tilt angles.



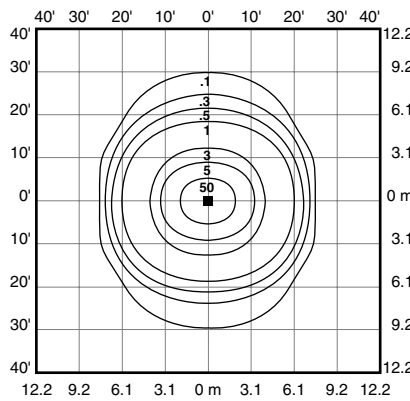
Lighting Sciences Inc.
 Certified Test Report No. LSI 9575
 Candlepower trace through origin of
 175W MH Narrow Parabolic Floodlight.
 NEMA Type: 3V x 3H.



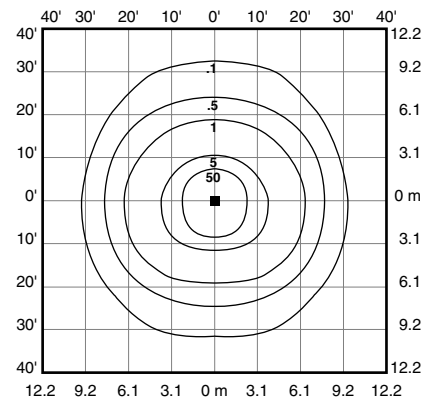
Isofootcandle plot of 175W MH Narrow Parabolic Floodlight at 15' (4.6 m) mounting height and 0° vertical tilt. (Plan view)



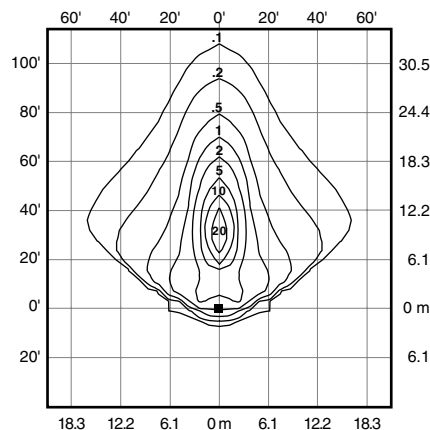
Isofootcandle plot of 175W MH Narrow Parabolic Floodlight at 20' (6.1 m) mounting height and 0° vertical tilt. (Plan view)



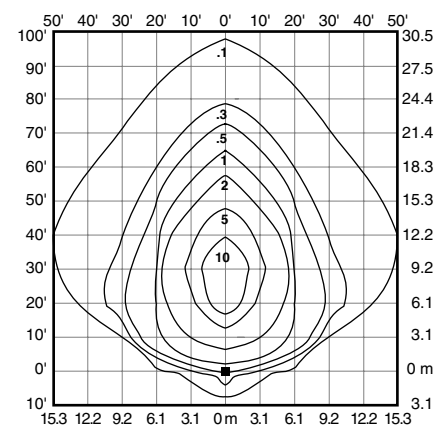
Isofootcandle plot of 150W HPS Narrow Parabolic Floodlight at 15' (4.6 m) mounting height and 0° vertical tilt. (Plan view)



Isofootcandle plot of 150W HPS Narrow Parabolic Floodlight at 20' (6.1 m) mounting height and 0° vertical tilt. (Plan view)



Isofootcandle plot of 175W MH Narrow Parabolic Floodlight at 20' (6.1 m) mounting height and 60° vertical tilt. (Plan view)



Isofootcandle plot of 150W HPS Narrow Parabolic Floodlight at 20' (6.1 m) mounting height and 60° vertical tilt. (Plan view)

