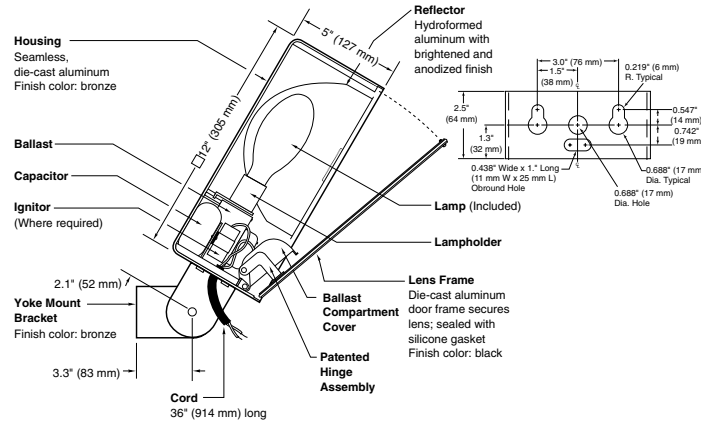


Beta Catalog Number:

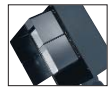
Notes:



Product Family	Housing Indicator	Lamp Position	Optical Distribution	Mounting Options	Lamp Selection*	Ballast Voltage	Color Options	Factory-Installed Options
BFL	S12	T	NB	YM ⁷	050 PMH 070 PMH 100 PMH 150 PMH 175 MHX	035 HPS ³ 050 HPS 12-120V 20-207V 24-247V 27-277V 34-340V 48-480V ⁴ 5_-50 Hz ⁵	BZ BK WH PB SV	If choosing more than one option, please type in manually on the lines provided above. F-Fuse ⁷ LH-Linear Horizontal Spread Lens LV-Linear Vertical Spread Lens P-Photocell ^{7,8} Q-Quartz Standby ^{7,9} TS-Tamperproof Screws ¹⁰ U-Uplight Door Frame ¹¹

***Lamp Abbreviation Key:**
PMH = Pulse Start Metal Halide
MHX = Metal Halide
HPS = High Pressure Sodium

Field-Installed Accessories



Deep Baffle
DB-12



Wire Guard
FWG-12



Vandal Shield
LS-12



Internal Louver
DL-12



Tamperproof Screwdriver
TPS-1

1-150W PMH, 175W MHX and 70W, 100W & 150W HPS are standard with multi-tap (MT) ballast
2-50W, 70W & 100W PMH and 50W HPS are standard with dual-tap (DT) ballast
3-35W HPS is standard with 120V ballast
4-480V ballast available for 175W MHX and 70W, 100W & 150W HPS

5-International 50 Hertz ballasts available, contact factory
6-YM (Yoke Mount)
7-Must specify voltage other than MT or DT
8-480V fixtures are supplied with factory-installed external photocell option. All voltages are factory installed in the housing.

9-Delay-relay type and includes 100W T4 dual-contact quartz lamp
10-Available for accessible fixture locations
11-Required for all exterior uplight application

General Description

Narrow beam parabolic floodlight luminaire for HID lamp (mounted transverse in housing), totally enclosed. Hydroformed aluminum reflector is brightened and anodized. Housing is seamless, die cast aluminum. Yoke mounting is a hinged steel bracket measuring 5" (127 mm) wide by 2.5" (64 mm) high, which allows vertical tilt of fixture and double locks in 5° increments from 0° to 90° above horizontal. Bracket attaches to housing with two 5/16" stainless steel bolts. Bracket bolts are supplied with sealing washer to prevent water leakage. A 36" (914 mm) flexible cord is provided for electrical connection. Lens assembly consists of rigid aluminum frame and high impact, clear tempered glass.

Electrical

Fixture includes clear, medium base lamp. Pulse-rated porcelain enclosed, 4kv rated screw shell type lampholder. Lamp ignitor included where required. All ballast assemblies are high power factor and use the following circuit types: Reactor 120V: 35W - 150W HPS; HX - High Reactance: 50W - 100W PSMH and 50W - 150W HPS; CWA - Constant Wattage Autotransformer: 150W PSMH and 175W MH.

Finish

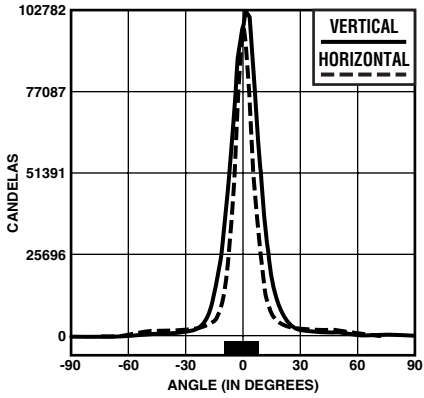
Exclusive Colorfast DeltaGuard® finish features an E-Coat epoxy primer with and ultra-durable powder topcoat, providing excellent resistance to corrosion, ultraviolet degradation and abrasion. The finish is covered by our 7 year limited warranty.

Labels

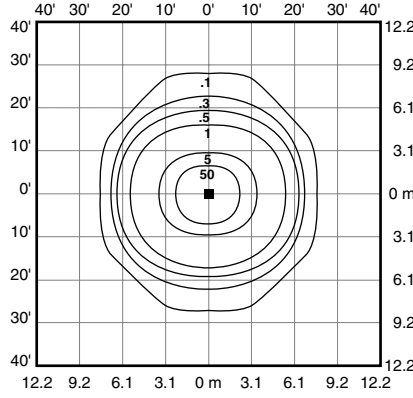
ANSI lamp wattage label supplied, visible during relamping. UL Listed in U.S. and Canada for wet locations and enclosure classified IP65 per IEC 529 and IEC 598.

Patents

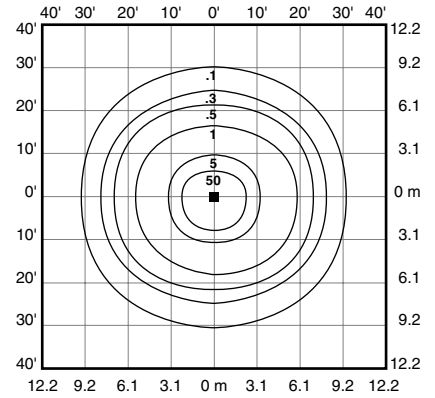
US 4,689,729



Lighting Sciences Inc.
 Certified Test Report No. LSI 9575
 Candlepower trace through origin of
 175W MH. NEMA Type: 3V x 3H.

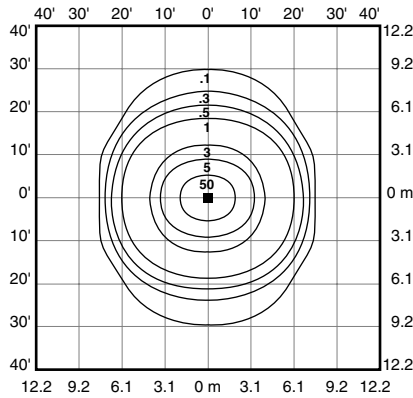


Isofootcandle plot of 175W MH at
 15' (4.6 m) mounting height and
 0° vertical tilt.
 (Plan view)

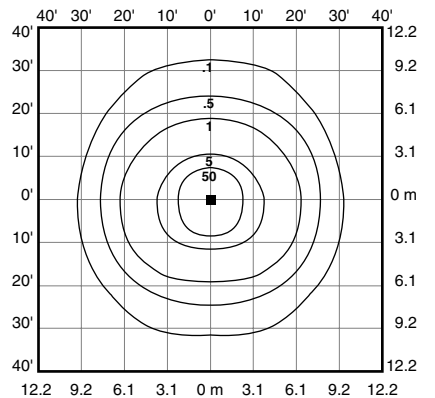


Isofootcandle plot of 175W MH at
 20' (6.1 m) mounting height and
 0° vertical tilt.
 (Plan view)

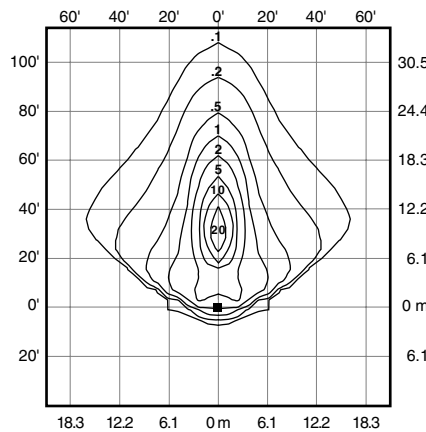
Isofootcandle plots show initial footcandles
 at grade. Footcandles ÷ 0.0929 = Lux.



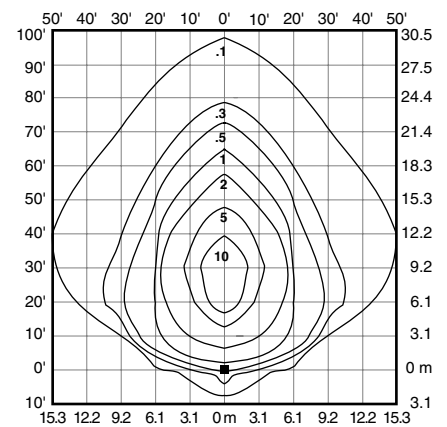
Isofootcandle plot of 150W HPS at
 15' (4.6 m) mounting height and
 0° vertical tilt.
 (Plan view)



Isofootcandle plot of 150W HPS at
 20' (6.1 m) mounting height and
 0° vertical tilt.
 (Plan view)



Isofootcandle plot of 175W MH at
 20' (6.1 m) mounting height and
 60° vertical tilt.
 (Plan view)



Isofootcandle plot of 150W HPS Narrow
 Parabolic Floodlight at 20' (6.1 m)
 mounting height and 60° vertical tilt.
 (Plan view)