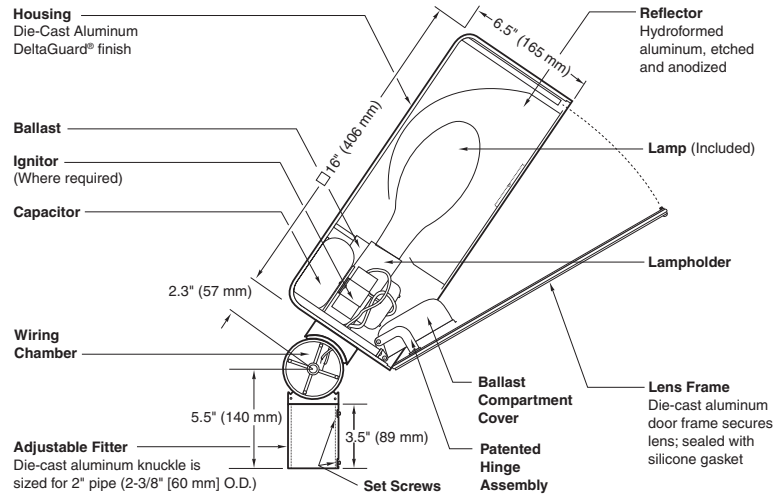


Beta Catalog Number:

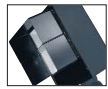


Notes:

Product Family	Housing Indicator	Lamp Position	Optical Distribution	Mounting Options	Lamp Selection*	Ballast Voltage	Color Options	Factory-Installed Options
BFL	S16	T ¹	MB ²	F2 ³	150 PMH 200 PMH 250 PMH 320 PMH 350 PMH ⁴ 400 PMH ⁴	175 MHX 250 MHX 400 MHX ⁴ 20-207V 24-247V 27-277V 34-340V 48-480V ⁶ 5_-50 Hz ⁷	MT ⁵ BZ BK WH PB SV	If choosing more than one option, please type in manually on the lines provided above. F-Fuse ⁸ P-Photocell ^{8,9} Q-Quartz Standby ¹⁰ TS-Tamperproof Screws ¹¹ U-Uplight Door Frame ¹²

*Lamp Abbreviation Key:
PMH = Pulse Start Metal Halide
MHX = Metal Halide
HPS = High Pressure Sodium

Field-Installed Accessories



Deep Baffle
DB-16



Wire Guard
FWG-16



Vandal Shield
LS-16



Internal Louver
DL-16



Tamperproof Screwdriver
TPS-1



Button Photocell⁶
PC-1 (Fixtures w/ 120V)
PC-2 (Fixtures w/ 208, 240 or 277V)
PC-3 (Fixtures w/ 347V)

- 1-Transverse lamp position
- 2-Nema 4 (Medium)
- 3-F2 (2" Adjustable fitter)
- 4-Utilizes ED28 reduced envelope lamp
- 5-All fixtures are standard with multi-tap (MT) ballast

- 6-All wattage lamps available in 480 volt ballasts
- 7-International 50 Hertz ballasts available, contact factory
- 8-Must specify voltage other than MT
- 9-All 480V fixtures are supplied with factory-installed external photocell option. All other voltages are field

- installed, order as an accessory (PC-1, PC-2 or PC-3).
- 10-Delay-relay type and includes 100W T4 dual-contact quartz lamp
- 11-Available for accessible fixture locations
- 12-Required for all exterior upright application

General Description

Medium beam parabolic floodlight luminaire for HID lamp (mounted transverse in housing), totally enclosed. Hydroformed aluminum reflector is etched and anodized. Housing is seamless, die cast aluminum. Aluminum die cast adjustable fitter mounting is sized for 2" pipe (2-3/8" [60 mm] O.D.). Allows for directional aiming as well as 2-1/2° incremental vertical adjustment. Contains integral wiring compartment. Two stainless steel set screws provide clamping to vertical tenons. Lens assembly consists of rigid aluminum frame and high impact, clear tempered glass.

Electrical

Fixture includes clear, mogul base lamp; 320W – 400W PSMH and 400W MH utilize the ED28 reduced envelope lamp. Pulse-rated porcelain enclosed, 4kv rated screw shell type lampholder with spring loaded center contact. Lamp ignitor included where required. All ballast assemblies are high power factor CWA - Constant Wattage Autotransformer.

Finish

Exclusive Colorfast DeltaGuard® finish features an E-Coat epoxy primer with an ultra-durable powder topcoat, providing excellent resistance to corrosion, ultraviolet degradation and abrasion. The finish is covered by our 7 year limited warranty.

Labels

ANSI lamp wattage label supplied, visible during relamping. UL Listed in U.S. and Canada for wet locations and enclosure classified IP65 per IEC 529 and IEC 598.

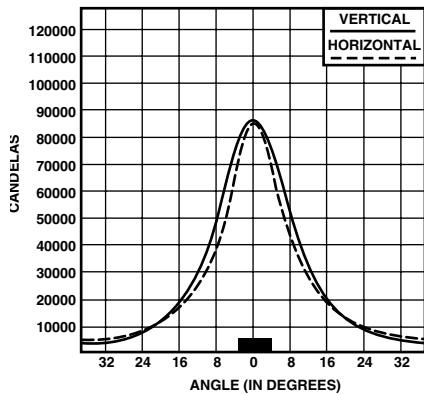
Patents

US 4,689,729

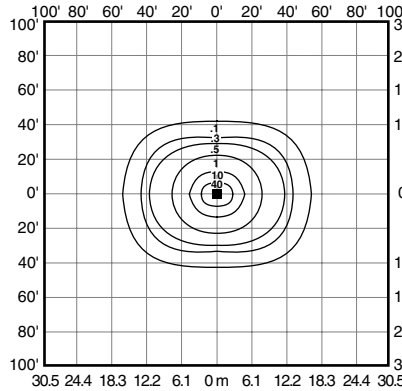
EPA RATING

Isofootcandle plots show initial footcandles at grade. Footcandles ÷ 0.0929 = Lux

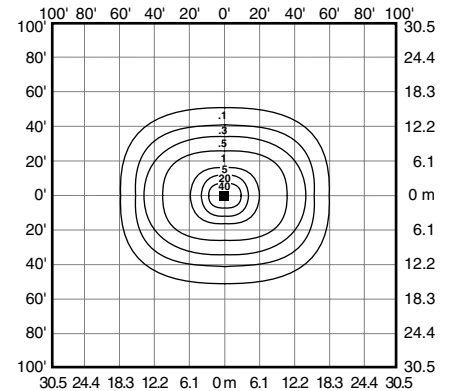
EPA 1.78 for single fixture with 60° tilt. Refer to Specifier Reference Guide or www.beta-lighting.com/TechnicalData/Windloading.pdf for EPA rating on multiple units or other tilt angles.



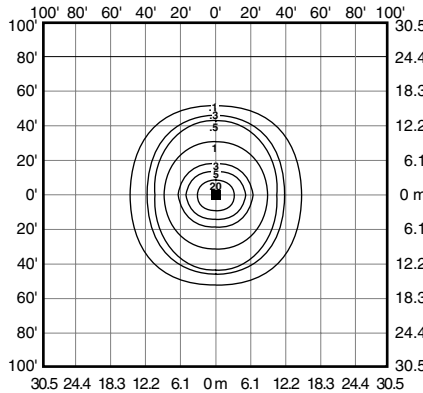
Lighting Sciences Inc.
 Certified Test Report No. LSI 9835
 Candlepower trace through origin of
 400W MH Medium Parabolic Floodlight.
 NEMA Type: 4V x 4H.



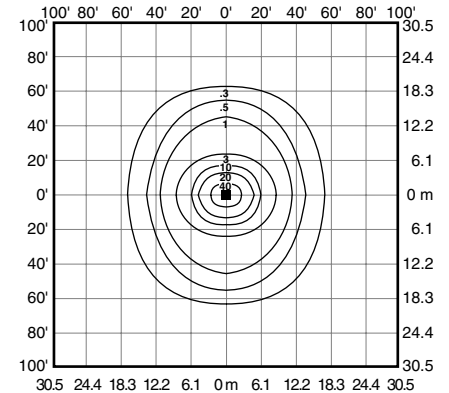
**Isofootcandle plot of 250W MH
 Medium Parabolic Floodlight at 25'
 (7.6 m) mounting height and 0°
 vertical tilt.
 (Plan view)**



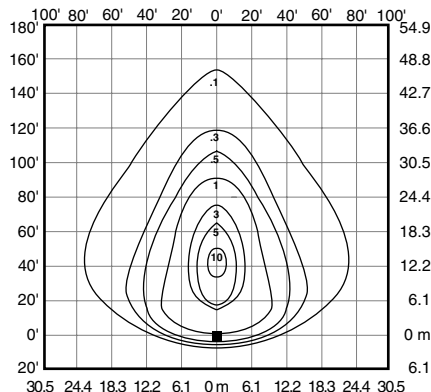
**Isofootcandle plot of 400W MH
 Medium Parabolic Floodlight at 30'
 (9.1 m) mounting height and 0°
 vertical tilt.
 (Plan view)**



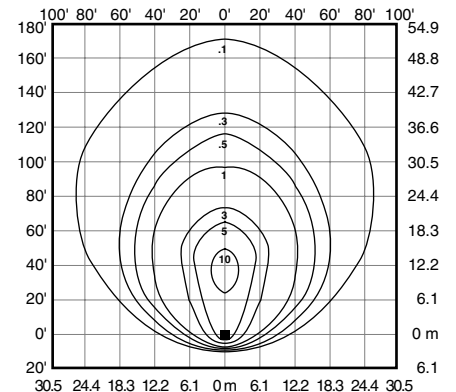
**Isofootcandle plot of 250W HPS
 Medium Parabolic Floodlight at 25'
 (7.6 m) mounting height and 0°
 vertical tilt.
 (Plan view)**



**Isofootcandle plot of 400W HPS
 Medium Parabolic Floodlight at 30'
 (9.1 m) mounting height and 0°
 vertical tilt.
 (Plan view)**



**Isofootcandle plot of 400W MH
 Medium Parabolic Floodlight at 30'
 (9.1 m) mounting height and 60°
 vertical tilt.
 (Plan view)**



**Isofootcandle plot of 400W HPS
 Medium Parabolic Floodlight at 30'
 (9.1 m) mounting height and 60°
 vertical tilt.
 (Plan view)**

