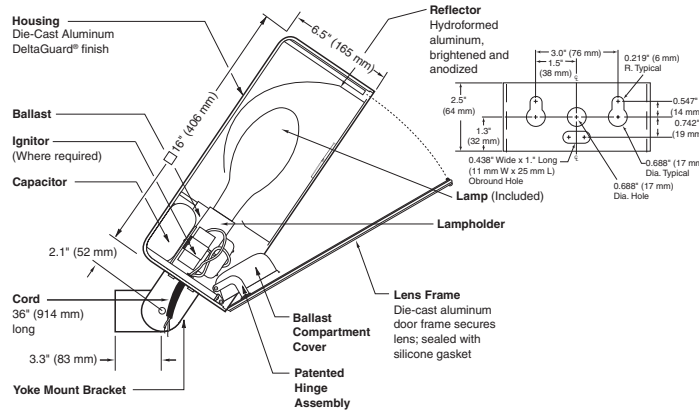


Beta Catalog Number:

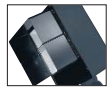
Notes:



Product Family	Housing Indicator	Lamp Position	Optical Distribution	Mounting Options	Lamp Selection*	Ballast Voltage	Color Options	Factory-Installed Options
BFL	S16	T <sup>1</sup>	NB <sup>2</sup>	YM <sup>3</sup>	150 PMH 150 HPS 200 PMH 250 HPS 320 PMH <sup>4</sup> 400 HPS 350 PMH <sup>4</sup> 400 PMH <sup>4</sup>	MT <sup>5</sup> 12-120V 20-207V 24-247V 27-277V 34-340V 48-480V <sup>6</sup> 5_-50 Hz <sup>7</sup>	BZ BK WH PB SV	If choosing more than one option, please type in manually on the lines provided above. F-Fuse <sup>8</sup> P-Photocell <sup>8,9</sup> Q-Quartz Standby <sup>10</sup> TS-Tamperproof Screws <sup>11</sup> U-Uplight Door Frame <sup>12</sup>

\*Lamp Abbreviation Key:  
PMH = Pulse Start Metal Halide  
MHX = Metal Halide  
HPS = High Pressure Sodium

Field-Installed Accessories



**Deep Baffle**  
DB-16



**Wire Guard**  
FWG-16



**Vandal Shield**  
LS-16



**Internal Louver**  
DL-16



**Tamperproof Screwdriver**  
TPS-1

- 1-Transverse lamp position
- 2-Nema 2 (narrow)
- 3-YM (Yoke Mount)
- 4-Utilizes ED28 reduced envelope lamp
- 5-All fixtures are standard with multi-tap (MT) ballast
- 6-All wattage lamps available in 480 volt ballasts
- 7-International 50 Hertz ballasts available, contact factory
- 8-Must specify voltage other than MT
- 9-All 480V fixtures are supplied with factory-installed external photocell option. All other voltages are supplied with factory-installed photocells.
- 10-Delay-relay type and includes 100W T4 dual-contact quartz lamp
- 11-Available for accessible fixture locations
- 12-Required for all exterior uplight application

General Description

Narrow beam parabolic floodlight luminaire for HID lamp (mounted transverse in housing), totally enclosed. Hydroformed aluminum reflector is brightened and anodized. Housing is seamless, die cast aluminum. Yoke mounting is a hinged steel bracket measuring 5" (127 mm) wide by 2.5" (64 mm) high, which allows vertical tilt of fixture and double locks in 5° increments from 0° to 90° above horizontal. Bracket attaches to housing with two 5/16" black stainless steel bolts. Bracket bolts are supplied with sealing washer to prevent water leakage. A 36" (914 mm) flexible cord is provided for electrical connection. Lens assembly consists of rigid aluminum frame and high impact, clear tempered glass.

Electrical

Fixture includes clear, mogul base lamp; 320 – 400W PSMH and 400W MH utilize the ED28 reduced envelope lamp. Pulse-rated porcelain enclosed, 4kV rated screw shell type lampholder with spring loaded center contact. Lamp ignitor included where required. All ballast assemblies are high power factor: CWA - Constant Wattage Autotransformer.

Finish

Exclusive Colorfast DeltaGuard® finish features an E-coat epoxy primer with an ultra-durable powder topcoat, providing excellent resistance to corrosion, ultraviolet degradation and abrasion. The finish is covered by our 7 year limited warranty.

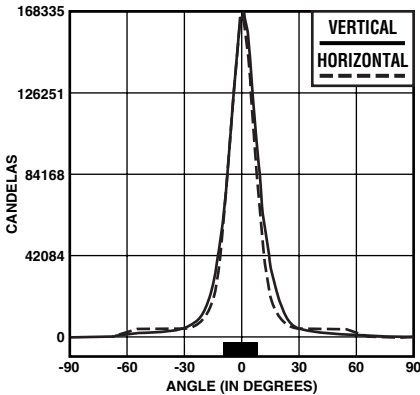
Labels

ANSI lamp wattage label supplied, visible during relamping. UL Listed in U.S. and Canada for wet locations and enclosure classified IP65 per IEC 529 and IEC 598.

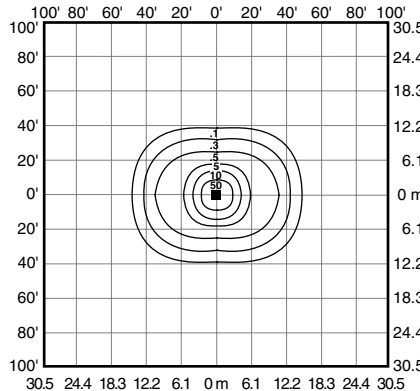
Patents

U.S. 4,689,729

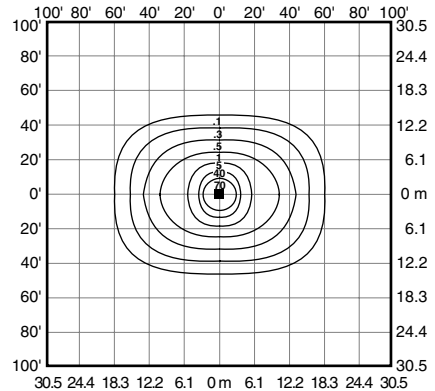
Isofootcandle plots show initial footcandles at grade. Footcandles ÷ 0.0929 = Lux



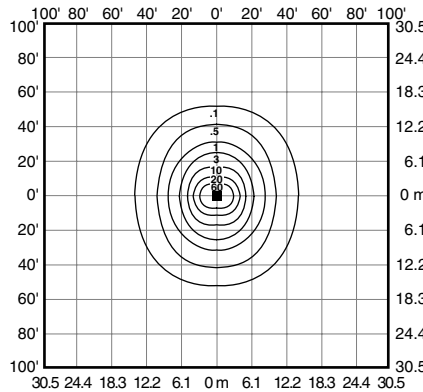
Lighting Sciences Inc.  
 Certified Test Report No. LSI 9836  
 Candlepower trace through origin of  
 400W MH Narrow Parabolic Floodlight.  
 NEMA Type: 3V x 2H.



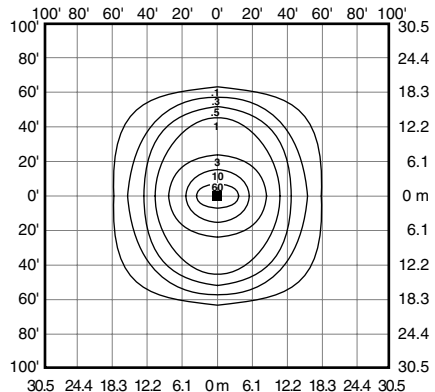
Isofootcandle plot of 250W MH Narrow  
 Parabolic Floodlight at 25' (7.6 m)  
 mounting height and 0° vertical tilt.  
 (Plan view)



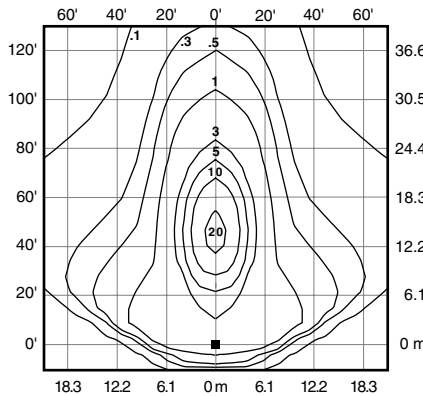
Isofootcandle plot of 400W MH Narrow  
 Parabolic Floodlight at 30' (7.6 m)  
 mounting height and 0° vertical tilt. (Plan  
 view)



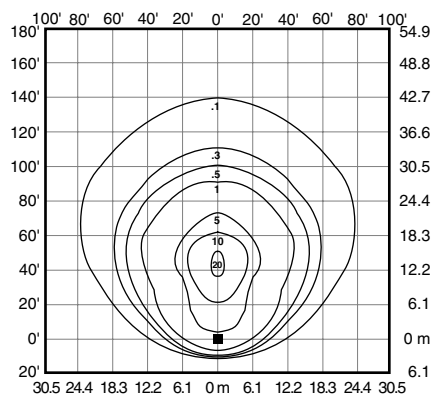
Isofootcandle plot of 250W HPS Narrow  
 Parabolic Floodlight at 25' (9.1 m)  
 mounting height and 0° vertical tilt. (Plan  
 view)



Isofootcandle plot of 400W HPS Narrow  
 Parabolic Floodlight at 30' (7.6 m)  
 mounting height and 0° vertical tilt.  
 (Plan view)



Isofootcandle plot of 400W MH Narrow  
 Parabolic Floodlight at 30' (9.1 m)  
 mounting height and 60° vertical tilt.  
 (Plan view)



Isofootcandle plot of 400W HPS Narrow  
 Parabolic Floodlight at 30' (9.1 m)  
 mounting height and 60° vertical tilt. (Plan  
 view)

