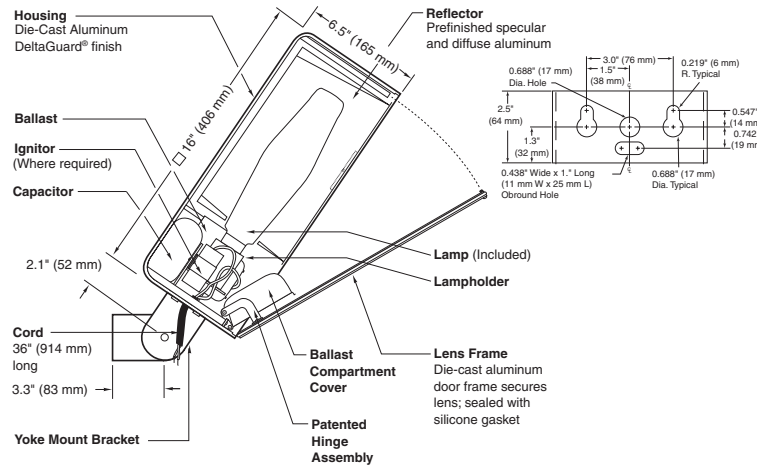


Beta Catalog Number:

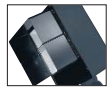


Notes:

Product Family	Housing Indicator	Lamp Position	Optical Distribution	Mounting Options	Lamp Selection*	Ballast Voltage	Color Options	Factory-Installed Options
BFL	S16	T ¹	VW ²	YM ³	150 PMH 200 PMH 250 PMH 320 PMH ⁴ 350 PMH 175 MHX 250 MHX 400 MHX	150 HPS 250 HPS 400 HPS MT ⁵ 12-120V 20-207V 24-247V 27-277V 34-340V 48-480V ⁶ 5_-50 Hz ⁷	BZ BK WH PB SV	If choosing more than one option, please type in manually on the lines provided above. F-Fuse ⁸ P-Photocell ^{8,9} Q-Quartz Standby ¹⁰ TS-Tamperproof Screws ¹¹ U-Uplight Door Frame ¹²

*Lamp Abbreviation Key:
PMH = Pulse Start Metal Halide
MHX = Metal Halide
HPS = High Pressure Sodium

Field-Installed Accessories



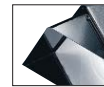
Deep Baffle
DB-16



Wire Guard
FWG-16



Vandal Shield
LS-16



Glare Shield
GS-16



Tamperproof Screwdriver
TPS-1

- 1-Transverse lamp position
- 2-Nema 7 (Very wide)
- 3-YM (Yoke mount)
- 4-Utilizes ED28 reduced envelope lamp
- 5-All fixtures are standard with multi-tap (MT) ballast
- 6-All wattage lamps available in 480 volt ballasts
- 7-International 50 Hertz ballasts available, contact factory
- 8-Must specify voltage other than MT
- 9-Factory-installed button photocell for all fixtures except factory-installed external photocell for 480V fixtures
- 10-Delay-relay type and includes 100W T4 dual-contact quartz lamp
- 11-Available for accessible fixture locations
- 12-Required for all exterior upright application

General Description

Very wide beam standard floodlight luminaire for HID lamp (mounted transverse in housing), totally enclosed. Housing is seamless, die cast aluminum. Yoke mounting is a hinged steel bracket, measuring 5" (127 mm) wide by 2.5" (64 mm) high, which allows vertical tilt of fixture and double locks in 5° increments from 0° to 90° above horizontal. Bracket attaches to housing with two 5/16" stainless steel bolts. Bracket bolts are supplied with sealing washer to prevent water leakage. A 36" (914 mm) flexible cord is provided for electrical connection. Lens assembly consists of rigid aluminum frame and high impact, clear tempered glass.

Electrical

Fixture includes clear, mogul base lamp. Pulse-rated porcelain enclosed, 4kv rated screw shell type lampholder with spring loaded center contact. Lamp ignitor included where required. All ballast assemblies are high power factor CWA - Constant Wattage Autotransformer.

Finish

Exclusive Colorfast DeltaGuard® finish features an E-Coat epoxy primer with an ultra-durable powder topcoat, providing excellent resistance to corrosion, ultraviolet degradation and abrasion. The finish is covered by our 7 year limited warranty.

Labels

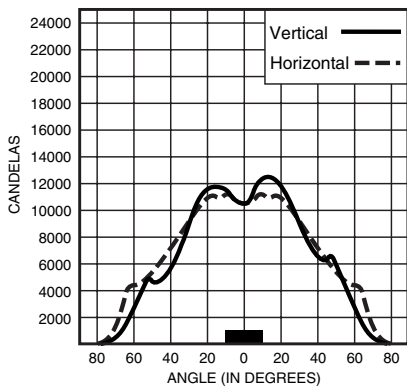
ANSI lamp wattage label supplied, visible during relamping. UL Listed in U.S. and Canada for wet locations and enclosure classified IP65 per IEC 529 and IEC 598.

Patents

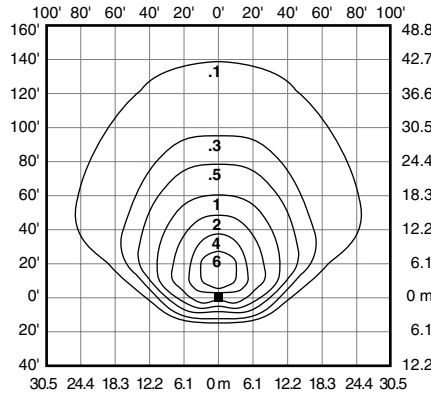
U.S. 4,689,729

BFL-S16-T-VW-YM 16" Square Floodlight w/ Yoke Mount

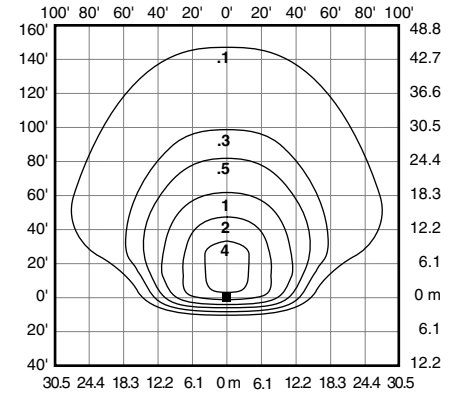
Isofootcandle plots show initial footcandles at grade. Footcandles ÷ 0.0929 = Lux



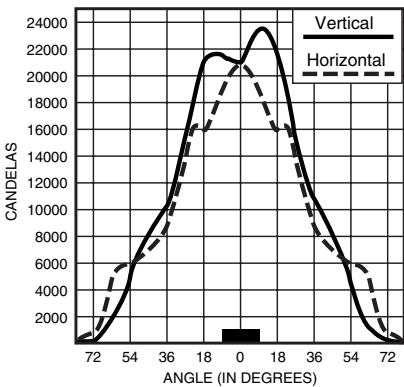
Lighting Sciences Inc.
Certified Test Report No. LSI 5303
Candlepower trace through origin of
400W MH Standard Floodlight.
NEMA Type: 7V x 7H.



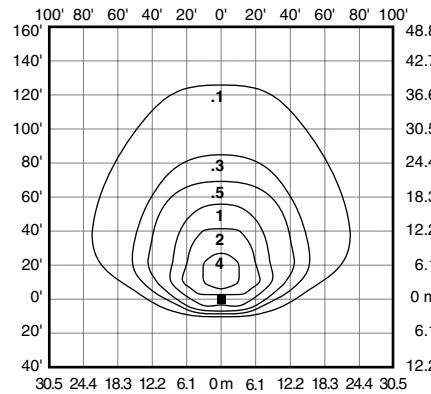
Isofootcandle plot of 250W MH
Standard Floodlight at 25' (7.6 m)
mounting height and 60° vertical tilt.
(Plan view)



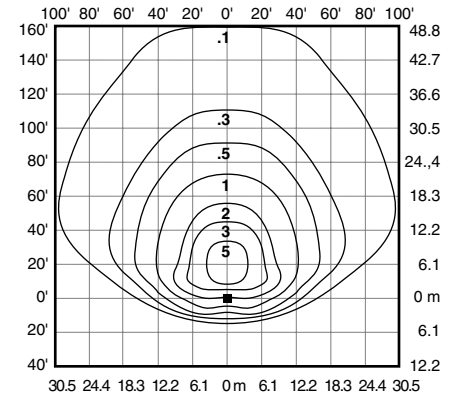
Isofootcandle plot of 400W MH
Standard Floodlight at 30' (9.1 m)
mounting height and 60° vertical tilt.
(Plan view)



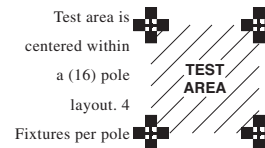
Lighting Sciences Inc.
Certified Test Report No. LSI 9664
Candlepower trace through origin of
400W HPS Standard Floodlight.
NEMA Type: 6V x 7H.



Isofootcandle plot of 250W HPS
Standard Floodlight at 25' (7.6 m)
mounting height and 60° vertical tilt.
(Plan view)



Isofootcandle plot of 400W HPS
Standard Floodlight at 30' (9.1 m)
mounting height and 60° vertical tilt.
(Plan view)



Average Initial Light Levels at Grade

Pole-spacing Example Data

Luminaire	Lamp Type	Lamp Lumens	Mounting Height	Max. Recommended Pole-spacing	Footcandles	Lux
BFL-S16-T-VW-YM	175W MH	14,000	15' (4.6 m)	75' (22.9 m)	6.11	66
			20' (6.1 m)	100' (30.5 m)	3.35	36
BFL-S16-T-VW-YM	250W MH	21,000	20' (6.1 m)	100' (30.5 m)	5.38	58
			25' (7.6 m)	125' (38.1 m)	3.19	34
BFL-S16-T-VW-YM	400W MH	36,000	25' (7.6 m)	125' (38.1 m)	5.48	59
			30' (9.1 m)	150' (45.7 m)	3.96	43
BFL-S16-T-VW-YM	250W HPS	28,500	20' (6.1 m)	100' (30.5 m)	7.08	76
			25' (7.6 m)	125' (38.1 m)	4.35	47
BFL-S16-T-VW-YM	400W HPS	50,000	25' (7.6 m)	125' (38.1 m)	7.63	82
			30' (9.1 m)	150' (45.7 m)	5.45	59

