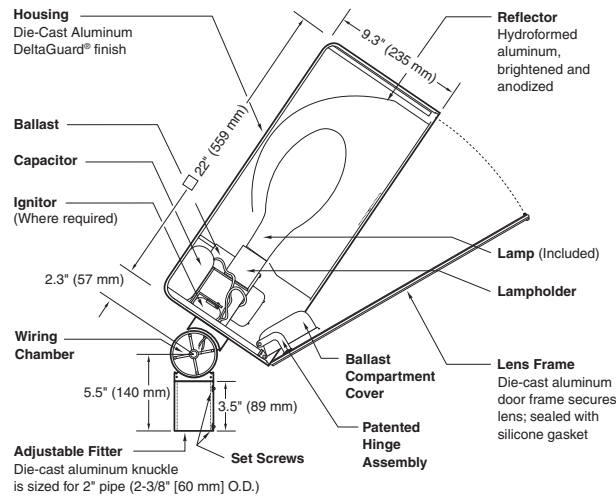


Beta Catalog Number:

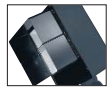


Notes:

Product Family	Housing Indicator	Lamp Position	Optical Distribution	Mounting Options	Lamp Selection*	Ballast Voltage	Color Options	Factory-Installed Options
BFL	S22	T <sup>1</sup>	NB <sup>2</sup>	F2 <sup>3</sup>	400 PMH <sup>4</sup> 10X PMH	MT <sup>6</sup> 12-120V 20-207V 24-247V 27-277V 34-340V 48-480V <sup>7</sup> 5_-50 Hz <sup>8</sup>	BZ BK WH PB SV	If choosing more than one option, please type in manually on the lines provided above. F-Fuse <sup>9</sup> P-Photocell <sup>9,10</sup> Q-Quartz Standby <sup>11</sup> U-Uplight Door Frame <sup>12</sup>

\*Lamp Abbreviation Key:  
PMH = Pulse Start Metal Halide  
MHX = Metal Halide  
HPS = High Pressure Sodium

Field-Installed Accessories



**Deep Baffle**  
DB-22



**Wire Guard**  
FWG-22



**Vandal Shield**  
LS-22



**Button Photocell**<sup>9,10</sup>  
PC-1 (Fixtures w/ 120V)  
PC-2 (Fixtures w/ 208, 240 or 277V)  
PC-3 (Fixtures w/ 347V)

- 1-Transverse lamp position
- 2-Nema 2 (Narrow)
- 3-F2 (2" Adjustable fitter)
- 4-Utilizes ED28 reduced envelope lamp
- 5-Utilizes BT37 reduced envelope lamp
- 6-All fixtures are standard with multi-tap (MT) ballast

- 7-All wattage lamps available in 480 volt ballasts
- 8-International 50 Hertz ballasts available, contact factory
- 9-Must specify voltage other than MT
- 10-All 480V fixtures are supplied with factory-installed external photocell option. All other voltages are field installed, order as an accessory (PC-1, PC-2 or PC-3).

- 11-Delay-relay type and includes 100W T4 dual-contact quartz lamp
- 12-Required for all exterior uplight application

General Description

Narrow beam parabolic floodlight luminaire for HID lamp (mounted transverse in housing), totally enclosed. Hydroformed aluminum reflector is brightened and anodized. Housing is seamless, die-cast aluminum. Aluminum die-cast adjustable fitter mounting is sized for 2" pipe (2-3/8" [60 mm] O.D.). Allows for directional aiming as well as 2-1/2° incremental vertical adjustment. Contains integral wiring compartment. Two stainless-steel set screws provide clamping to vertical tenons. Lens assembly consists of rigid aluminum frame and high-impact, clear-tempered glass.

Electrical

Fixture includes clear, mogul-base lamp. 400W PSMH and 400W MH utilize the ED28 reduced envelope lamp. 1000W MH utilizes the BT-37 reduced envelope lamp. Pulse-rated porcelain enclosed, 4kv-rated screw-shell-type lampholder with spring-loaded center contact. Lamp ignitor included where required. All ballast assemblies are high-power factor CWA – Constant Wattage Autotransformer.

Finish

Exclusive Colorfast DeltaGuard® finish features an E-coat epoxy primer with an ultra-durable powder topcoat, providing excellent resistance to corrosion, ultraviolet degradation and abrasion. The finish is covered by our 7 year limited warranty.

Labels

ANSI lamp wattage label supplied, visible during relamping. UL Listed in US and Canada for wet locations and enclosure classified IP54 per IEC 529 and IEC 598.

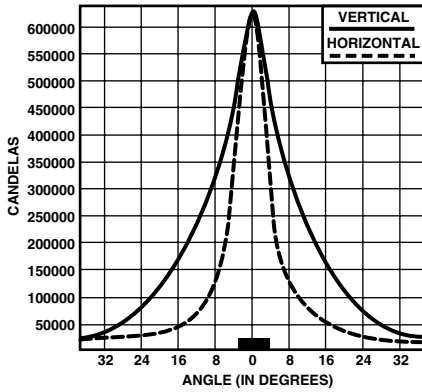
Patents

US 4,689,729

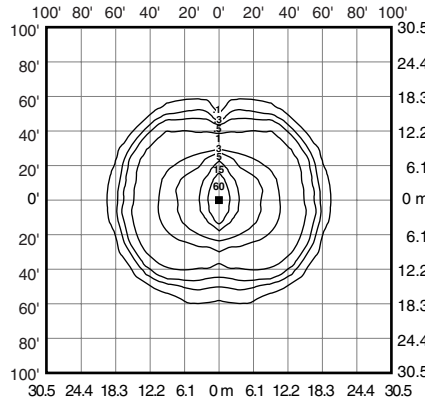
**EPA RATING**

EPA 3.26 for single fixture with 60° tilt. Refer to Specifier Reference Guide or [www.beta-lighting.com/TechnicalData/Windloading.pdf](http://www.beta-lighting.com/TechnicalData/Windloading.pdf) for EPA rating on multiple units or other tilt angles.

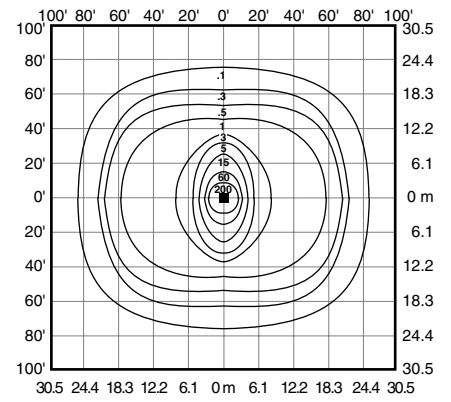
Isofootcandle plots show initial footcandles at grade. Footcandles ÷ 0.0929 = Lux



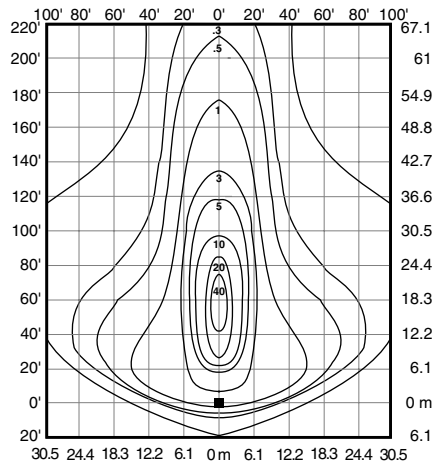
Lighting Sciences Inc.  
 Certified Test Report No. LSI 10132  
 Candlepower trace through origin of  
 1000W MH Narrow Parabolic Floodlight.  
 NEMA Type: 4V x 2H.



Isofootcandle plot of 1000W MH Narrow Parabolic Floodlight at 30' (10.7 m) mounting height and 0° vertical tilt. (Plan view)



Isofootcandle plot of 1000W MH Narrow Parabolic Floodlight at 40' (12.2 m) mounting height and 0° vertical tilt. (Plan view)



Isofootcandle plot of 1000W MH Narrow Parabolic Floodlight at 40' (12.2 m) mounting height and 60° vertical tilt. (Plan view)