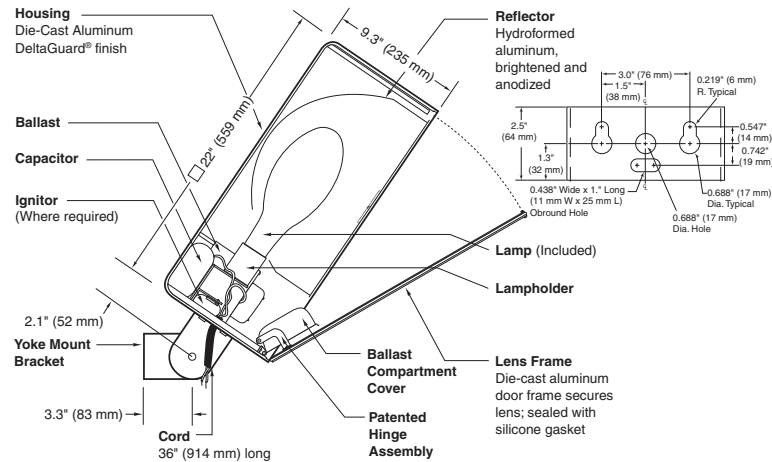


Beta Catalog Number:

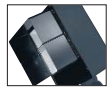


Notes:

Product Family	Housing Indicator	Lamp Position	Optical Distribution	Mounting Options	Lamp Selection*	Ballast Voltage	Color Options	Factory-Installed Options
BFL	S22	T ¹	NB ²	YM ³	400 PMH ⁴ 10X PMH	MT ⁶ 12-120V 20-207V 24-247V 27-277V 34-340V 48-480V ⁷ 5_-50 Hz ⁸	BZ BK WH PB SV	If choosing more than one option, please type in manually on the lines provided above. F-Fuse ⁹ P-Photocell ^{9,10} Q-Quartz Standby ¹¹ U-Uplight Door Frame ¹²

*Lamp Abbreviation Key:
PMH = Pulse Start Metal Halide
MHX = Metal Halide
HPS = High Pressure Sodium

Field-Installed Accessories



Deep Baffle
DB-22



Wire Guard
FWG-22



Vandal Shield
LS-22

- 1-Transverse lamp position
- 2-Nema 2 (Narrow)
- 3-YM (Yoke mount)
- 4-Utilizes ED28 reduced envelope lamp
- 5-Utilizes BT37 reduced envelope lamp
- 6-All fixtures are standard with multi-tap (MT) ballast

- 7-All wattage lamps available in 480 volt ballasts
- 8-International 50 Hertz ballasts available, contact factory
- 9-Must specify voltage other than MT
- 10-Factory-installed button photocell for all fixtures except factory-installed external photocell for 480V fixtures

- 11-Delay-relay type and includes 100W T4 dual-contact quartz lamp
- 12-Required for all exterior uplight application

General Description

Narrow beam parabolic floodlight luminaire for HID lamp (mounted transverse in housing), totally enclosed. Hydroformed reflector is brightened and anodized. Housing is seamless, die-cast aluminum. Yoke mounting is a hinged steel bracket measuring 5" (127 mm) wide by 2.5" (64 mm) high, which allows vertical tilt of fixture. Bracket attaches to housing with two 5/16"-18 black stainless-steel bolts. Bracket bolts are supplied with sealing washer to prevent water leakage. A 36" (914 mm) flexible cord is provided for electrical connection. Hydroformed aluminum reflector is brightened and anodized. Lens assembly consists of rigid aluminum frame and high-impact, clear-tempered glass.

Electrical

Fixture includes clear, mogul-base lamp. 400W PSMH and 400W MH utilize the ED28 reduced envelope lamp. 1000W MH utilizes the BT-37 reduced envelope lamp. Pulse-rated porcelain enclosed, 4kv-rated screw-shell-type lampholder with spring-loaded center contact. Lamp ignitor included where required. All ballast assemblies are high-power factor CWA – Constant Wattage Autotransformer.

Finish

Exclusive Colorfast DeltaGuard® finish features an E-coat epoxy primer with an ultra-durable powder topcoat, providing excellent resistance to corrosion, ultraviolet degradation and abrasion. The finish is covered by our 7 year limited warranty.

Labels

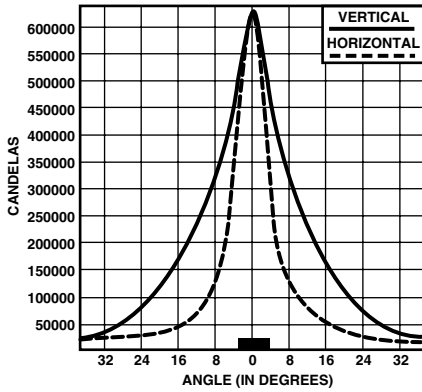
ANSI lamp wattage label supplied, visible during relamping. UL Listed in US and Canada for wet locations and enclosure classified IP54 per IEC 529 and IEC 598.

Patents

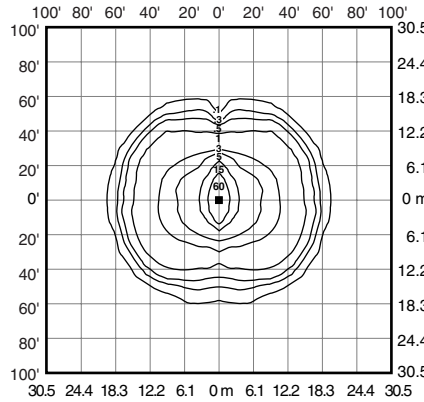
U.S. 4,689,729

BFL-S22-T-NB-YM 22" Square Floodlight w/ Yoke Mount

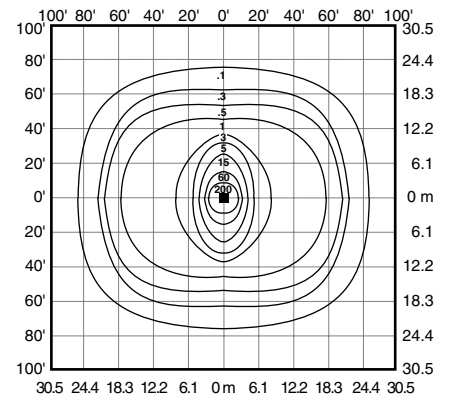
Isofootcandle plots show initial footcandles at grade. Footcandles ÷ 0.0929 = Lux



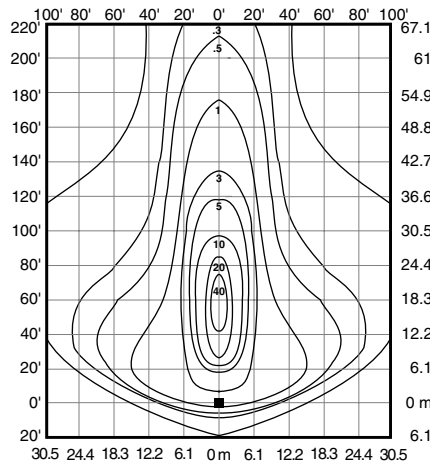
Lighting Sciences Inc.
 Certified Test Report No. LSI 10132
 Candlepower trace through origin of
 1000W MH Narrow Parabolic Floodlight.
 NEMA Type: 4V x 2H.



Isofootcandle plot of 1000W MH Narrow
 Parabolic Floodlight at 30' (10.7 m)
 mounting height and 0° vertical tilt. (Plan
 view)



Isofootcandle plot of 1000W MH Narrow
 Parabolic Floodlight at 40' (12.2 m)
 mounting height and 0° vertical tilt. (Plan
 view)



Isofootcandle plot of 1000W MH Narrow
 Parabolic Floodlight at 40' (12.2 m)
 mounting height and 60° vertical tilt.
 (Plan view)

