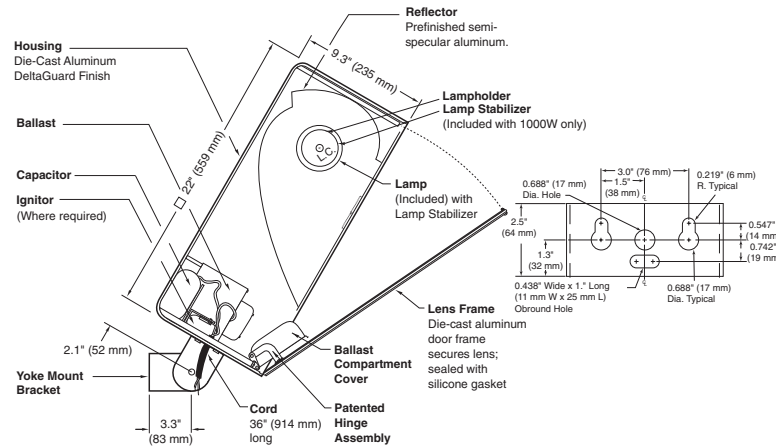
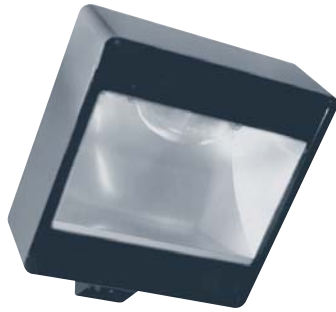


BFL-S22-T-WB-YM 22" Square Floodlight w/ Yoke Mount

Beta Catalog Number:



Notes:

Product Family	Housing Indicator	Lamp Position	Optical Distribution	Mounting Options	Lamp Selection*	Ballast Voltage	Color Options	Factory-Installed Options
BFL	S22	T ¹	WB ²	YM ³	320 PMH ⁴ 400 PMH 750 PMH 875 PMH	400 HPS 12-120V 20-207V 24-247V 27-277V 34-340V 48-480V ⁶ 5_-50 Hz ⁷	BZ BK WH PB SV	If choosing more than one option, please type in manually on the lines provided above. F-Fuse ⁸ P-Photocell ^{8,9} Q-Quartz Standby ¹⁰ U-Uplight Door Frame ¹¹

*Lamp Abbreviation Key:
PMH = Pulse Start Metal Halide
MHX = Metal Halide
HPS = High Pressure Sodium

Field-Installed Accessories



Vandal Shield
L.S-22

- 1-Transverse lamp position
- 2-Nema 5 (Medium-wide)
- 3-YM (Yoke mount)
- 4-Utilizes ED28 reduced envelope lamp
- 5-All fixtures are standard with multi-tap (MT) ballast
- 6-All wattage lamps available in 480 volt ballasts
- 7-International 50 Hertz ballasts available; contact factory
- 8-Must specify voltage other than MT
- 9-Factory-installed button photocell for all fixtures except factory-installed external photocell for 480V fixtures
- 10-Delay-relay type and includes 100W T4 dual-contact quartz lamp
- 11-Required for all exterior uplight application

General Description

Wide Beam cutoff floodlight luminaire for HID lamp (housing transversed in housing), totally enclosed. Reflector is segmented. Provides narrow vertical and wide horizontal distribution. Housing is seamless, die-cast aluminum. Yoke mounting is a hinged steel bracket measuring 5" (127 mm) wide by 2.5" (64 mm) high, which allows vertical tilt of fixture and double locks in 5° increments from 0° to 90° above horizontal. Bracket attaches to housing with two 5/16" black stainless-steel bolts. Bracket bolts are supplied with sealing washer to prevent water leakage. A 36" (914 mm) flexible cord is provided for electrical connection. Lens assembly consists of rigid aluminum frame and high-impact, clear-tempered glass.

Electrical

Fixture includes clear, mogul-base lamp. Pulse-rated porcelain enclosed, 4kv-rated screw-shell-type lampholder with spring-loaded center contact. Lamp ignitor included where required. All ballast assemblies are high power factor CWA – Constant Wattage Autotransformer.

Finish

Exclusive Colorfast DeltaGuard® finish features an E-coat epoxy primer with an ultra-durable powder topcoat, providing excellent resistance to corrosion, ultraviolet degradation and abrasion. The finish is covered by our 7 year limited warranty.

Labels

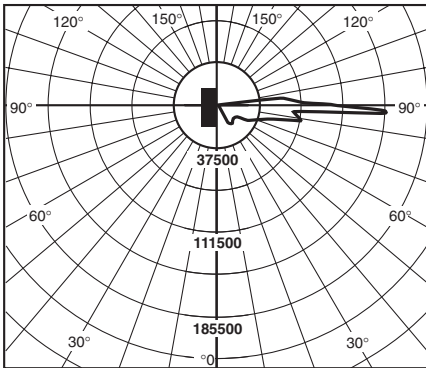
ANSI lamp wattage label supplied, visible during relamping. UL Listed in US and Canada for wet locations and enclosure classified IP54 per IEC 529 and IEC 598.

Patents

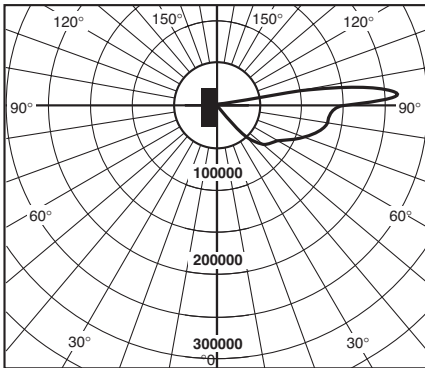
US 4,689,729

BFL-S22-T-WB-YM 22" Square Floodlight w/ Yoke Mount

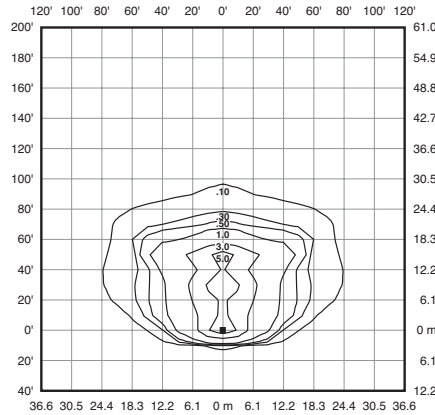
Isofootcandle plots show initial footcandles at grade. Footcandles ÷ 0.0929 = Lux



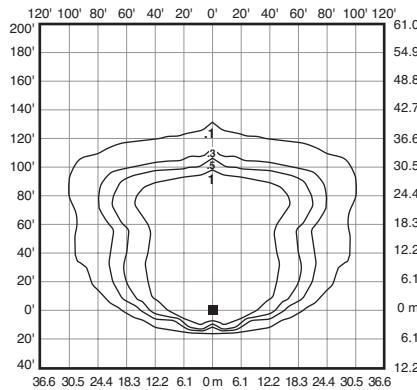
Lighting Sciences Inc.
 Certified Test Report No. LSI 11679
 Candlepower distribution curve of 1000W
 MH 22" (559 mm) Narrow Beam Cutoff
 Floodlight. NEMA Type: 5H x 5V



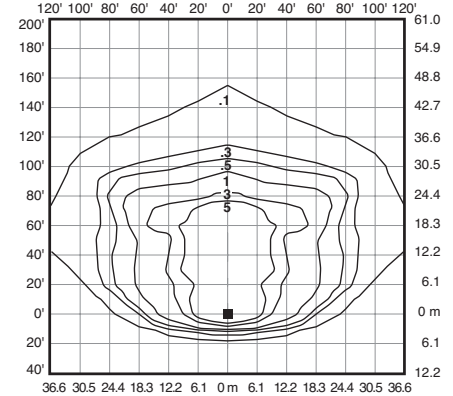
Lighting Sciences Inc.
 Certified Test Report No. LSI 9359R
 Candlepower distribution curve of 1000W
 HPS 22" (559 mm) Narrow Beam Cutoff
 Floodlight.
 (Plan view)



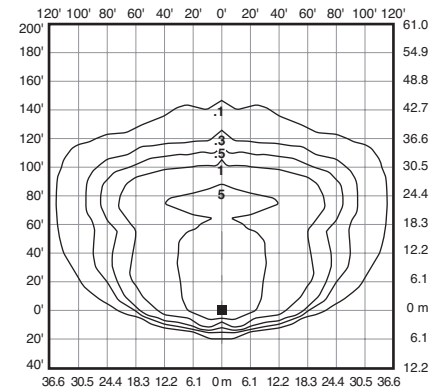
Isofootcandle plot of 400W MH
 Narrow Beam Cutoff Floodlight at 30'
 (9.1 m) mounting height and 60°
 vertical tilt.
 (Plan view)



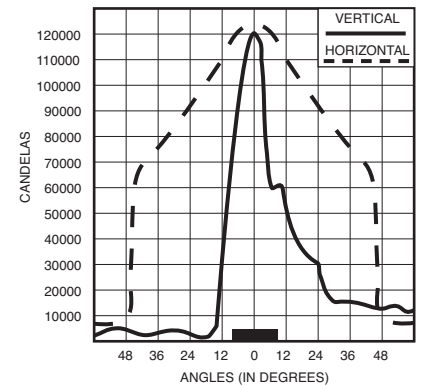
Isofootcandle plot of 400W HPS
 Narrow Beam Cutoff Floodlight at 30'
 (9.1 m) mounting height and 60°
 vertical tilt.
 (Plan view)



Isofootcandle plot of 1000W MH
 Narrow Beam Cutoff Floodlight at 40'
 (12.2 m) mounting height and 60°
 vertical tilt.
 (Plan view)



Isofootcandle plot of 1000W HPS
 Narrow Beam Cutoff Floodlight at 40'
 (12.2 m) mounting height and 60°
 vertical tilt.
 (Plan view)



Lighting Sciences Inc.
 Certified Test Report No. LSI 11679
 Candle trace through origin of 1000W
 MH 22" (559 mm) Narrow Beam Cutoff
 Floodlight.
 NEMA Type: 5H x 5V