

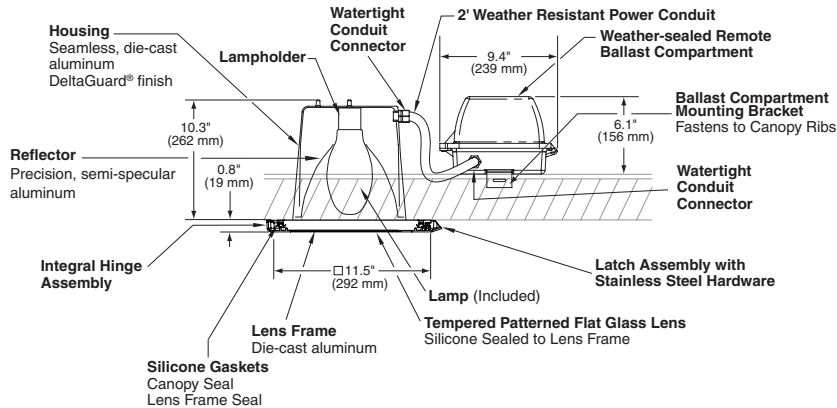
# BCP-CON-V-L4-RM Global Constellation Petroleum Canopy w/ Recessed Mount

Beta Catalog Number:

Notes:



Patterned Flat Glass Lens



Product Family	Housing Indicator	Lamp Position	Optical Distribution	Mounting Options	Lamp Selection*	Ballast Voltage	Color Options
BCP	CON	V	L4 <sup>1</sup>	RM <sup>2</sup>	150 PMH 200 PMH 250 PMH 320 PMH 350 PMH 400 PMH	MT <sup>3</sup> 34-347V 48-480V <sup>4</sup> 5_-50Hz <sup>5</sup>	WH BK

\*Lamp Abbreviation Key:  
 PMH = Pulse Start Metal Halide  
 MHX = Metal Halide  
 HPS = High Pressure Sodium

## Field-Installed Accessories



Circle Cutting Tool  
CAR-MCC<sup>6</sup>



Opening Tool  
CAR-OT



Complete Relamping Kit  
(Includes Lamp Basket, 10' Pole and Opening Tool).  
CAR-RLS

1-L4 (Patterned Flat Lens)  
 2-RM (Recessed Mount)—designed for use in single or double skin petroleum canopy installations with 12" (305 mm) or 16" (406 mm) wide panels; fixture mounts into a 9.25" (235 mm) diameter hole cut into decking

3-All fixtures are standard with multi-tap (MT) ballast  
 4-All wattages available with 480V ballast

5-International 50 Hertz ballasts available, consult factory  
 6-2500 min RPM drill required (by others)

## General Description

Canopy luminaire for HID lamp, totally enclosed. Brightened and anodized aluminum symmetrical reflector provides IESNA Full Cutoff Classification. Housing is seamless, die-cast aluminum. Suitable for use in single or double skin canopies with 12" (305 mm) or 16" (406 mm) wide panels. Designed for canopies of 19 – 22 gauge (maximum 0.040" [1 mm] thickness). The fixture is semi-recessed through a 9.25" (235 mm) +/- 1/16" (2 mm) diameter hole in the canopy. The lens frame is below the canopy with the balance of housing and ballast above the canopy. The fixture housing includes a 2'0" (61 cm) weather resistant flexible power conduit for easy attachment to the remote ballast compartment. Ballast compartment is secured to the canopy ribs of the canopy deck with #14 Tek-screws (by others). Optical compartment has die-cast lens frame that hinges open, tools free, for easy cleaning or relamping. Patterned flat tempered glass lens is silicone sealed to the lens frame.

## Electrical

Fixture includes clear, mogul-base lamp; 150W – 400W PSMH and 400W MH utilize the ED28 envelope lamp. Pulse-rated porcelain enclosed, screw-shell-type lampholder with spring-loaded center contact and lamp grips. Minimum 90°C temperature supply wire required. Lamp ignitor included. Ballast assemblies are high-power factor and consist of the following circuit types: HX — High Reactance: 150W PSMH; CWA — Constant Wattage Autotransformer: 250 – 400W PSMH, 175 – 400W MH and 250 HPS.

## Finish

Exclusive Colorfast DeltaGuard™ finish features an E-coat epoxy primer with an ultra-durable powder topcoat, providing excellent resistance to corrosion, ultraviolet degradation and abrasion. The finish is covered by our 7 year limited warranty.

## Labels

ANSI lamp wattage label supplied, visible during relamping. UL Listed in US and Canada for wet locations and enclosure classified IP66 (luminaire only) per IEC 529 and IEC 598.

## Patents

US 5,927,843; Other patents pending

# BCP-CON-V-L4-RM Global Constellation Petroleum Canopy w/ Recessed Mount

## Patterned Flat Lens



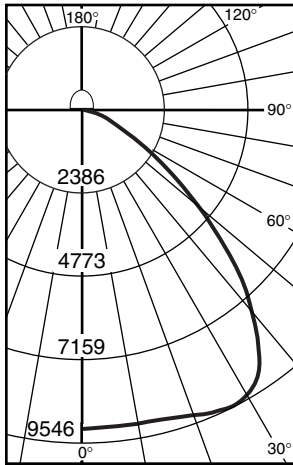
### Pulse Start Metal Halide

Lamp: 320 Watt (Clear) – 34,000 lumens

Lens: Flat Patterned Glass

Test Distance: 30' (10 m)

Certified Test Report: Lighting Sciences Inc. No. LSI 14286



## Candlepower Summary

Angle	Mean CP	Lumens
0	9119	
5	9124	885
10	9126	
15	9176	2607
20	9339	
25	9528	4384
30	9445	
35	8783	5408
40	7531	
45	5926	4539
50	4288	
55	2890	2636
60	1881	
65	1202	1226
70	749	
75	430	472
80	216	
85	84	101
90	0	

## Zonal Lumens and Percentages

Zone	Lumens	% Lamp	% Fixture
0-30	7875	23.16	35.38
0-40	13284	39.07	59.68
0-60	20459	60.17	91.92
0-90	22258	65.47	100.00
40-90	8974	26.39	40.32
60-90	1799	5.29	8.08
90-180	0	0.00	0.00
0-180	22258	65.47	100.00

## Quick Fixture Spacing Table (based on patterned lens)

Spacing	Average Initial Horizontal fc at Grade	Uniformity (Max:Min)	Average Initial Vertical fc at Pump Face	Uniformity (Max:Min)
12' x 12'	85.84	2.45	42.35	1.97
10' x 15'	91.89	2.90	49.21	1.59
12' x 15'	86.06	2.44	42.24	1.40
15' x 15'	62.59	2.77	37.73	2.11

## Lamp Lumen Correction Factors

Lamp Wattage	Initial Lumens	Multiplier	Beta Lamp Catalog #
200 U	21000	0.62	L-620
250 HBU	26300	0.77	L-625 HBU
320 PSBU	34000	1.00	L-632 PSBU
350 P/U	38000	1.12	L-632 P
400 PHBU	44000	1.29	L-640 PHBU

