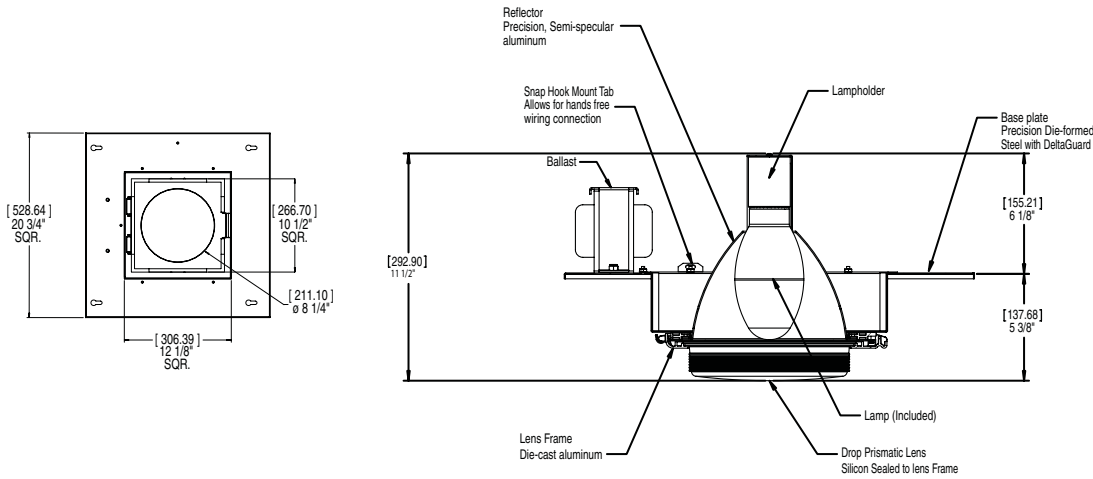


Beta Catalog Number:



Notes:

Product Family	Housing Indicator	Lamp Position	Optical Distribution	Lamp Selection*	Ballast Voltage	Color Options	Factory-Installed Options
BCP	RT2	V	L3 ¹	250 PMH ² 320 PMH ² 350 PMH ² 400 PMH ²	MT ³ 12-120V 20-208V 24-240V 27-277V	WH BK	If choosing more than one option, please type in manually on the lines provided above. F-Fuse ⁶
				250 MHX 400 MHX	34-347V 48-480V ⁴ 5_-50Hz ⁵		

***Lamp Abbreviation Key:**
 PMH = Pulse Start Metal Halide
 MXH = Metal Halide
 HPS = High Pressure Sodium

1-L3 (Drop Prismatic Lens)
 2- -Reduced envelope ED28 lamp

3-All fixtures are standard with multi-tap (MT) ballast
 4-All wattages available with 480V ballast

5-International 50 Hertz ballasts available, consult factory
 6-Must specify voltage other than MT or DT

General Description

Retro-Fit assembly for canopy luminaire with HID lamp. Suitable for use in existing Whiteway Riviera 2 models (21 1/8" square housing). Housing base is precision die-formed steel. The unit allows for migration to a vertical lamp optical system in existing under canopy luminaires, with all components integral to the assembly. The kit is hung with snap hooks from cable assemblies mounted to the existing housing to allow for hands free wiring and single person installation. Keyslots in the base plate allow the product to be lifted and shifted into position for ease of final installation. Brightened, anodized aluminum symmetrical reflector achieves IES "full cutoff" and is enclosed with a die-cast lens frame that hinges open, tools free, for easy cleaning or relamping. Drop prismatic glass lens is silicone sealed to lens frame. The optical system provides a highly efficient distribution with a smoother pattern to reduce the differentiation between nadir and the main beam while controlling glare and providing an added "sparkle" effect.

Electrical

Fixture includes clear, mogul-base lamp 250 - 400 PSMH ED28 reduced envelope lamp. Pulse-rated porcelain enclosed, screw-shell-type lampholder with springloaded center contact and lamp grips. Minimum 90°C temperature supply wire required. Lamp ignitor included. All ballast assemblies are high-power factor and use the following circuit types: CWA - Constant Wattage Autotransformer 250 - 400 PSMH.

Finish

Exclusive Colorfast DeltaGuard™ finish features an E-coat epoxy primer with an ultra-durable powder topcoat, providing excellent resistance to corrosion, ultraviolet degradation and abrasion. The finish is covered by our seven-year limited warranty.

Labels

ANSI lamp wattage label supplied, visible during relamping. UL Listed in US and Canada for Retro-Fit in under canopy locations.

Drop Prismatic Lens



Pulse Start Metal Halide

Lamp: 320 Watt (Clear) – 34,000 lumens

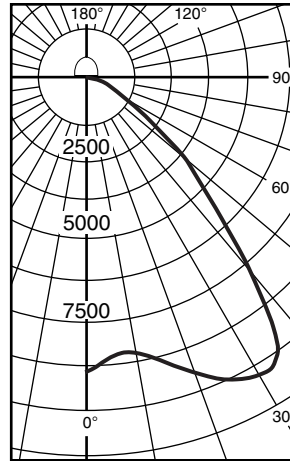
Lens: Drop Prismatic Glass

Test Distance: 30' (10 m)

Certified Test Report: Lighting Sciences Inc. No. LSI 14287

Candlepower Summary

Angle	Mean CP Lumens	Angle	Mean CP Lumens
0	9087	95	120
5	8567	100	75
10	8496	105	49
15	8889	110	40
20	9539	115	36
25	10137	120	29
30	10427	125	18
35	10078	130	6
40	7729	135	0
45	5381	140	0
50	3820	145	0
55	2243	150	0
60	1365	155	0
65	950	160	0
70	701	165	0
75	507	170	0
80	358	175	0
85	251	180	0
90	180		



Zonal Lumens and Percentages

Zone	Lumens	% Lamp	% Fixture
0-30	8050	23.68	35.84
0-40	14067	41.38	62.63
0-60	20430	60.09	90.95
0-90	22220	65.36	98.92
40-90	8153	23.98	36.29
60-90	1790	5.27	7.97
90-180	242	0.71	1.08
0-180	22463	66.07	100.00

Quick Fixture Spacing Table (based on drop lens)

Spacing	Average Initial Horizontal fc at Grade	Uniformity (Max:Min)	Average Initial Vertical fc at Pump Face	Uniformity (Max:Min)
12' x 12'	86.40	2.49	43.21	2.03
10' x 15'	92.55	3.03	49.25	1.61
12' x 15'	86.48	2.66	41.64	1.41
15' x 15'	63.13	2.86	38.70	2.14

Lamp Lumen Correction Factors

Lamp Wattage	Initial Lumens	Multiplier	Beta Lamp Catalog #
200 U	21000	0.62	L-620
250 HBU	26300	0.77	L-625 HBU
320 PSBU	34000	1.00	L-632 PSBU
350 P/U	38000	1.12	L-632 P
400 PHBU	44000	1.29	L-640 PHBU

